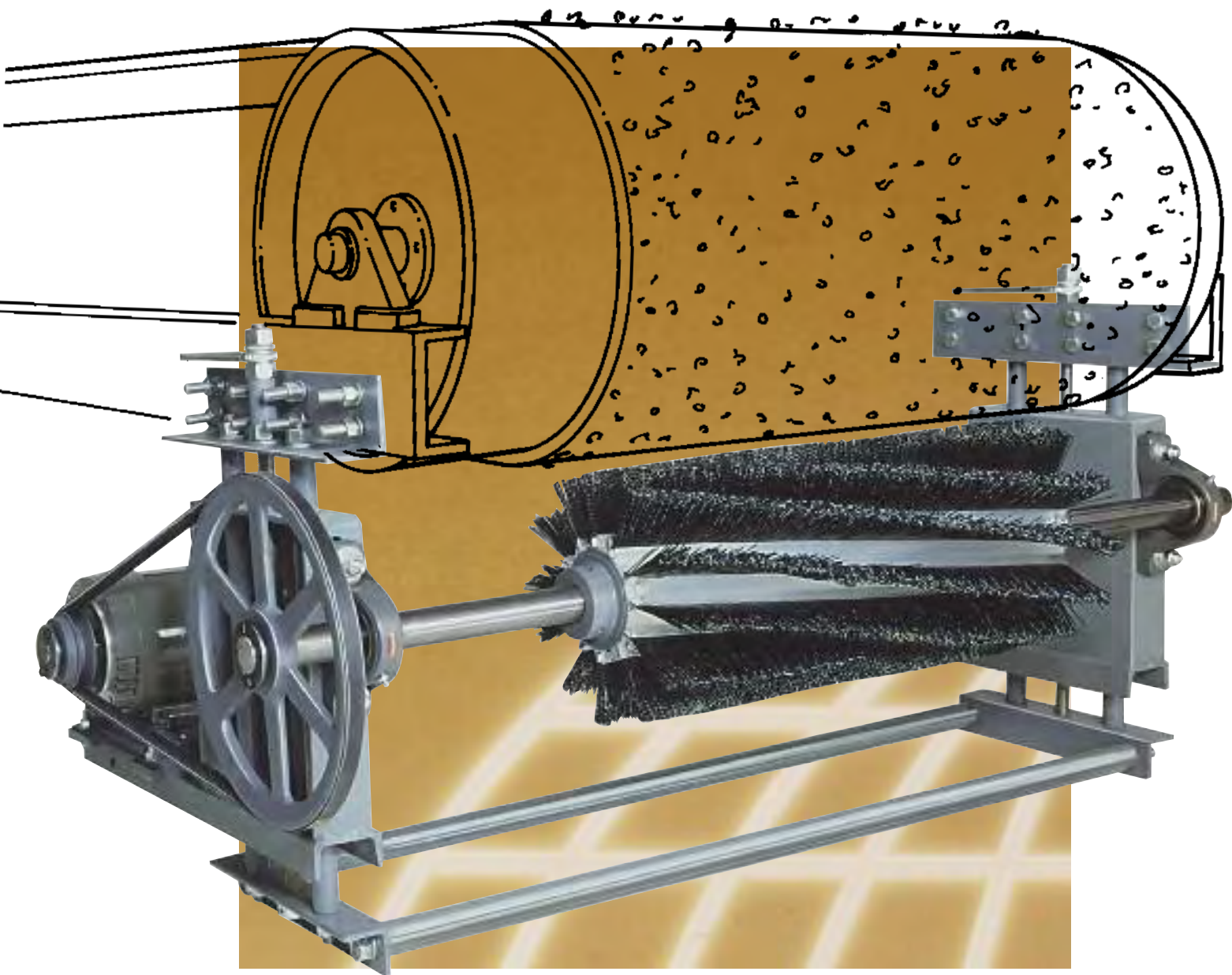


brush type conveyor belt cleaner



® **M** **MATERIAL CONTROL, INC**

197 POPLAR PL. • UNIT 3

P.O. BOX 308

NORTH AURORA, IL 60542-0308

800-926-0376 • 630-892-4274 • FAX 630-892-4931

WWW.MATERIALCONTROLINC.COM • EMAIL: SALES@MATERIALCONTROLINC.COM

BRUSH WEAR ADJUSTMENT — Take-up style rod assembly provides easy, positive brush adjustment. Proper brushing pressure usually has bristle ends just touching belt. Heavy duty construction.

BRUSH SPEED ADJUSTMENT — Multiple sheave arrangement furnished. As a rule brush should have peripheral speed of two times belt speed. If material is tacky peripheral speed should be three times belt speed. Adjust to 230, 415 or 600 RPM.

MOTOR — Totally enclosed, fan cooled, three phase, 60 cycles, 230/460 volts, 1200 R.P.M. Has high starting torque. For operation in atmospheric conditions of extreme dust and dirt. Motor rides up and down with the brush. Assures proper drive tension at all times, no need to adjust after initial setting.

BRUSH WIDTH	HORSEPOWER	SHAFT DIA.
6" - 42"	1 H.P.	17/16"
48" - 108"	2 H.P.	1 15/16"

complete model 99 cleaner

no need to purchase extra parts

HANGER BRACKET — Heavy Duty — Mounts on conveyor frame.

SHAFT — Furnished extra long to fit any width conveyor frame. From 1 7/16" diameter on 6" cleaner to 1 15/16" on 72" cleaner.

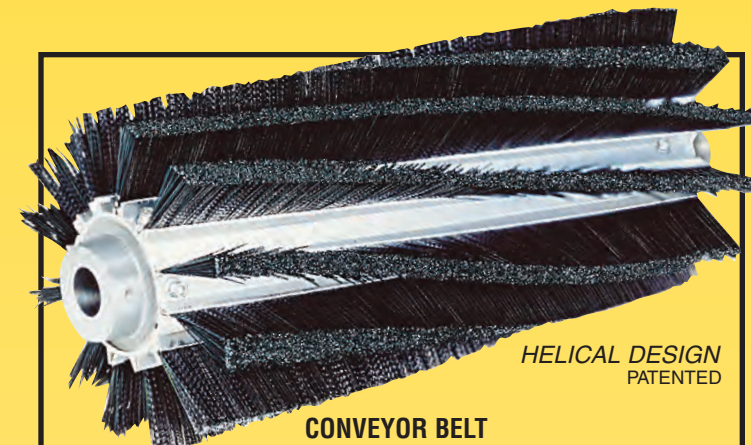
PILLOW BLOCK BEARINGS — High quality sealed bearings. Lubrication required only periodically.

BRUSH — Finest conveyor belt cleaning brush available. 10" diameter. Helically formed channels ensure continuous bristle/belt contact. Open face construction prevents loading. Disposable type brush. Precision extruded, corrosion resistant, aluminum brush sections. 3" standard bristle trim length. Brush end hubs set screw to shaft. No keying required.

CROSS MEMBERS — Add stability to unit. Furnished extra long to suit any conveyor frame. Cut off in field by customer after installation.

BELT GUARD — Detachable belt guard covers belt, drive sheave and driven sheave. (not shown)

NOTE:
Drive assembly can be mounted on either side of unit. Brush rotates against, or in opposition to, conveyor belt travel.



HELICAL DESIGN PATENTED

CONVEYOR BELT CLEANER CYLINDER BRUSH

heavy duty construction • easy to install

HELICAL DESIGN — OUR FINEST

Our helical design assures a smooth, virtually noiseless brushing action due to constant brush contact with the cleaning surface. It is the only disposable type brush featuring a helical, totally enclosed aluminum solid face housing. If required, we can also supply brushes in straight face construction.

HIGH QUALITY — HEAVY DUTY CONSTRUCTION

- Self cleaning — brush will NOT load due to open faced construction.
- Brush castings set screw to shaft. No need to key shaft.
- Precision extruded, corrosion resistant, aluminum brush sections.
- High quality polypropylene or nylon bristles in .014, .028 or .040 diameter.
- Brush available in 10" O.D. (standard) and in other optional bristle lengths up to 16" O.D.
- Ruggedly built, helically formed, heavy duty yet lightweight construction.

WHEN ORDERING OUR BRUSH, PLEASE SPECIFY BRISTLE SIZE AND BELT WIDTH

Our standard bristles come in three diameters: .014, .028 and .040. Bristles are made of polypropylene or nylon, extremely long wearing, chemically resistant synthetic materials.

In general, two factors determine the size bristle to be used.

1. The condition of the carryover — dry, wet or tacky.
2. The weight of the carryover — light, medium or heavy.

A wet tacky carryover requires a heavier bristle than a dry carryover.

A heavy carryover, such as iron ore, would require the .040 bristle.

A light carryover, such as cereal, would require the .014 bristle.

The following bristle section guide will help you select the proper bristle size for your application. Cleaning action will be better with a bristle slightly heavier than needed, rather than lighter. If you have any questions after reviewing the guide contact us for assistance.

BRISTLE SELECTION CHART

Material Carried on Belt	Carryover	Bristle Size	Material Carried on Belt	Carryover	Bristle Size
Aggregate	wet	.040	Iron ore	dry or wet	.040
	heavy			heavy	
Cement — raw material	wet	.040	Lead ore	dry or wet	.040
	heavy			heavy	
Cement-dust	dry	.014	Limestone	wet	.040
	light			heavy	
Cereal	dry	.014	Metal chips	wet	.040
	light			heavy	
Coal	wet	.040	Phosphate	slurry	.040
	medium			heavy	
Coke	dry	.040	Plywood (dusting)	dry	.014
	heavy			light	
Copper ore	dry or wet	.040	Pulp chips	tacky	.040
	heavy			medium	
Feed	dry	.028	Salt	dry	.040
	medium			medium	
Fertilizer	dry	.040	Sand	wet	.040
	heavy			medium	
Foods	wet	.028	Sinter	wet	.040
	medium			heavy	
Foundry sand	wet	.028	Sugar	tacky	.040
	medium			medium	
Glass particles	dry	.028	Taconite ore	dry or wet	.040
	medium			heavy	

FOR INFORMATION OR TO PLACE AN ORDER CALL 800-926-0376

- When ordering please note bristle diameter required. 014, .028 or .040.
- Stainless steel, wire, or other brushes available. Prices on request.
- Standard brush has twelve bristle rows, 10" diameter, 3" bristle trim length, helical design.
- Diameters other than 10" call for prices.

ORDERING INFORMATION

COMPLETE MODEL 99 BRUSH CLEANER			BRUSH ONLY (shipped assembled). Includes bored castings, precision extruded, corrosion resistant brush sections, soaked head screws.			REPLACEMENT BRUSH HOUSING Includes: Precision extruded corrosion resistant brush sections, socket head screws.			
BELT WIDTH	NET WT. LBS.	WITH NYLON OR POLY-PROPYLENE BRISTLES	BELT WIDTH	NET WT. LBS.	CASTING BORE SIZE	WITH NYLON OR POLY-PROPYLENE BRISTLES	BELT WIDTH	NET WT. LBS.	WITH NYLON OR POLY-PROPYLENE BRISTLES
6"	115	SEE PRICE SHEET FOR PRICES	6"	14	1 7/16"	SEE PRICE SHEET FOR PRICES	6"	8	SEE PRICE SHEET FOR PRICES
8"	125		8"	15	1 7/16"		8"	9	
12"	140		12"	17	1 7/16"		12"	11	
16"	175		16"	19	1 7/16"		16"	13	
18"	182		18"	20	1 7/16"		18"	14	
20"	189		20"	21	1 7/16"		20"	15	
24"	201		24"	23	1 7/16"		24"	17	
30"	225		30"	26	1 7/16"		30"	20	
36"	244		36"	29	1 7/16"		36"	23	
42"	280		42"	35	1 7/16"		42"	28	
48"	307		48"	38	1 15/16"		48"	31	
54"	333		54"	41	1 15/16"		54"	33	
60"	434		60"	44	1 15/16"		60"	35	
72"	501		72"	50	1 15/16"		72"	41	
83"	529		83"	54	1 15/16"		83"	43	
96"	623		96"	66	1 15/16"		96"	53	
108"	690	108"	73	1 15/16"	108"	60			

ELIMINATE COSTLY DOWNTIME AND CLEAN-UP EXPENSES, STOP WEAR ON BELTS AND RETURN ROLLS CAUSED BY CARYOVER!

- Open brush construction — self cleaning, will NOT load.
- Helically formed, ruggedly built brush withstands hardest usage.
- Disposable brush housing is quickly and easily changed when brush replacement is required.
- Standard attaching assembly adjusts to fit any size conveyor. Drive can be mounted on either side for servicing.
- Helix design assures constant belt contact — smoothest, quietest, most positive cleaning action possible.
- Flexible cleaning action of bristles provides most thorough cleaning possible.
- Variable speed sheave arrangement allows for brush speed adjustment to your requirements.
- Available for ANY belt width. Shipments made quickly from stock.
- The Model 99 brush cleaner is shipped complete — no need to purchase extra parts.



OPEN FACE AND HELICAL DESIGN OF THE BRUSH KEEPS IT FROM LOADING

A QUICK CHANGE DISPOSABLE BRUSH HOUSING:

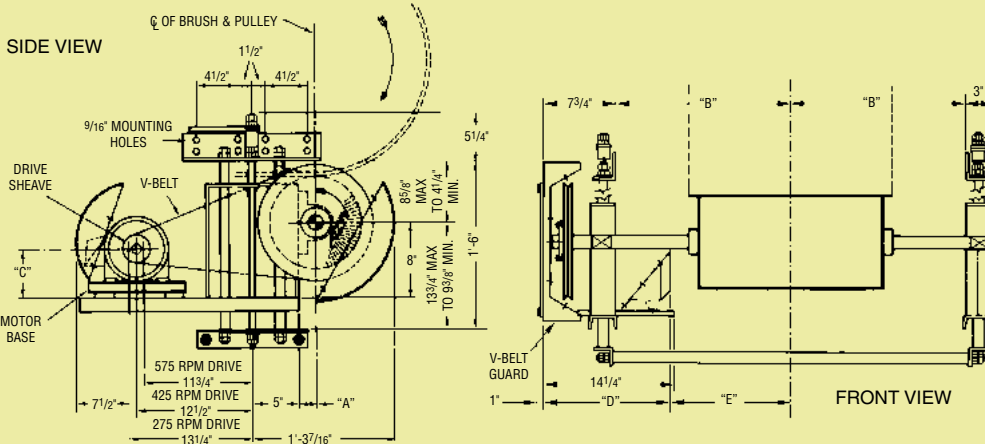
No more spending hours of valuable time trying to drive worn bristle strips out of a reusable housing. Through experience we have found that after a brush has been in service, not only is it extremely difficult to drive out the worm strip, many times the housing itself is severely damaged in the process. Difficulty also arises in trying to drive in the new replacement strips. (Even if the housing is undamaged.) Our disposable housing cuts replacement time, and costs much less.

Our brush comes completely assembled. Replacing worn bristles is easy. Heavy duty yet lightweight disposable brush housings are affixed to the reusable castings by six socket head screws. A 30" brush takes no more than 10 minutes to replace.

SPECIFICATIONS:

Two precision extruded, corrosion resistant, aluminum brush sections are securely mounted to castings by socket head screws. Each complete brush unit contains twelve helical brush strips permanently mounted to the aluminum housing. Our standard brush has a 3" bristle tim length for a 10" O.D. brush. Brushes can be supplied in an 8" O.D. and up to 16" O.D. Bristle diameters are: .014, .028 and .040 for light, medium and heavy carryover. Grey iron castings have a 4" O.D. with 17/16" and 1 15/16" bore sizes.

Two set screws on each casting securely hold brush housing to the shaft. (No special lock collars or keying required.)



BRUSH WIDTH	DIM. "A"	DIM. "B"		DIM. "C"	DIM. "D"	DIM. "E"	
		MAX.	MIN.			MAX.	MIN.
12"	17/16"	1'-3"	0'-9"	5 1/8"	12 3/8"	10 3/8"	4 3/8"
14"	17/16"	1'-4"	0'-10"	5 1/8"	12 3/8"	11 3/8"	5 3/8"
16"	17/16"	1'-5"	0'-11"	5 1/8"	12 3/8"	12 3/8"	6 3/8"
18"	17/16"	1'-6"	1'-0"	5 1/8"	12 3/8"	13 3/8"	7 3/8"
20"	17/8"	1'-7"	1'-1"	5 1/8"	13 3/4"	13"	7"
24"	17/8"	1'-9"	1'-3"	5 1/8"	13 3/4"	15"	9"
30"	17/8"	2'-0"	1'-6"	5 1/8"	13 3/4"	18"	12"
36"	17/8"	2'-3"	1'-9"	5 1/8"	13 3/4"	21"	15"
42"	17/8"	2'-6"	2'-0"	5 1/8"	13 3/4"	24"	18"
48"	2 1/4"	2'-9"	2'-3"	6 1/2"	15"	25 3/4"	19 3/4"
54"	2 1/4"	3'-0"	2'-6"	6 1/2"	15"	28 3/4"	22 3/4"
60"	2 1/4"	3'-3"	2'-9"	6 1/2"	15"	31 3/4"	25 3/4"
72"	2 1/4"	3'-9"	3'-3"	6 1/2"	15"	37 3/4"	31 3/4"

INSTALLATION INFORMATION

The MODEL 99 Brush Cleaner adjusts to fit any mounting condition. The "B" width shown adjusts to suit conveyor frame. Hanger Brackets (each side) are bolted or welded to the conveyor frame. **IMPORTANT** — For maximum cleaning effectiveness, mount hanger assembly so that the Brush Shaft will be located on the center line of the Pulley Shaft.

The best cleaning action can be obtained if care is taken to see that the Brush contacts the belt at a point where the belt is free from vibration. For this reason, we recommend the head pulley centerline. If this is not practical, a return idler or back-up plate should be used. Brush should contact belt with the least amount of pressure required to clean the belt.

After mounting the "Take-Up" style side assemblies to conveyor

frame, measure distance between the lower mounting brackets. Tube and rod cross members are furnished extra long and are cut to proper length by customer at the job-side. Cross members are then secured by locking the threaded tightening rods in place. The lower mounting brackets could also be bolted or welded to a plate or conveyor frame attachment. The assembly is now securely mounted and needs only the simple installation of the Brush/Shaft assembly on the Pillow Block Bearings, and the Motor Drive assembly. The Motor Drive Assembly can be mounted on either side for servicing. The belt guard mounts to the side frame to complete the Brush assembly.

IMPORTANT: The MODEL 99 Brush Cleaner should be wired so that it will stop when the conveyor stops. Brush must not operate when belt is not in operation. Brush rotates against, or in opposition to, conveyor belt travel.

© Copyright Material Control, Inc. 1992

MATERIAL CONTROL, INC.
 197 POPLAR PL. • UNIT 3
 P.O. BOX 308
 NORTH AURORA, IL 60542-0308
800-926-0376 • 630-892-4274 • FAX 630-892-4931



WWW.MATERIALCONTROLINC.COM
 EMAIL: SALES@MATERIALCONTROLINC.COM
 SUBJECT TO CHANGE WITHOUT NOTICE
 TERMS: NET 30 DAYS
 F.O.B. FACTORY - TAX NOT INCLUDED