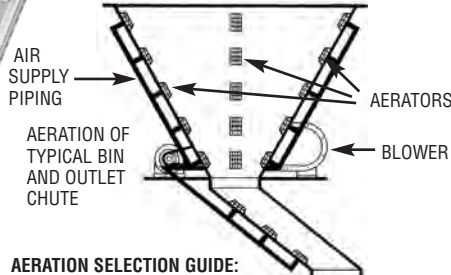


MODEL "AD" BIN AERATOR ENDS FLOW PROBLEMS FOREVER



FREE AERATION LAYOUT DRAWING:
If you have any questions as to number, spacing or location of aerators, supply Material Control, Inc. with your bin configuration and we will make a layout drawing with our recommendations.



AERATION SELECTION GUIDE:
For best results locate lower aerators as close to discharge outlet as possible. If material is held in bin for long periods and/or compacted in transport we recommend aerators be installed on 12" centers.

Aerators on 12" Centers		Aerators on 15" Centers	
Length of Sloping Bin wall	Number of Aerators Per Row	Length of Sloping Bin wall	Number of Aerators Per Row
1'8" - 2'7"	2	1'11" - 3'1"	2
2'8" - 3'7"	3	3'2" - 4'4"	3
3'8" - 4'7"	4	4'5" - 5'7"	4
4'8" - 5'7"	5	5'8" - 6'10"	5
5'8" - 6'7"	6	6'11" - 8'1"	6
6'8" - 7'7"	7	8'2" - 9'4"	7
7'8" - 8'7"	8	9'5" - 10'7"	8
8'8" - 9'7"	9	10'8" - 11'10"	9
9'8" - 10'7"	10	11'11" - 13'1"	10

Exclusive new heavy-duty construction features stiffeners to prevent crushing of air compartment. These stiffeners eliminate the possibility of the Aerator being crushed by a head of material or by a man stepping on it when cleaning bin. The stiffeners do not obstruct the diffusion of air.

ADVANTAGES OF AERATION:

- Positive, uniform and easily controlled flow
- Quiet operation
- Low power requirements
- First in/first out flow
- Adapts to any bin configuration
- Inexpensive — low initial cost and almost no maintenance

Model AD Aerators provide positive flow of dry finely ground materials from any bin using the principle of aeration.

Low pressure air is introduced into the product, restoring its natural ability to flow. In this way congestion, bridging and rat holeing are overcome without resorting to brute force. Almost all flow problems inherent to dry, fine materials are caused by compaction. When low pressure air is introduced to a finely ground material it will flow like water — uniformly and quickly.

Model AD Aerators are non-clogging and provide equal distribution and consumption of air. They feature simple and quick installation. Simply drill a 7/16" hole in the bin wall, insert special tank nipple through hole and secure with lock nut.

MATERIALS RESPONDING TO AERATION:

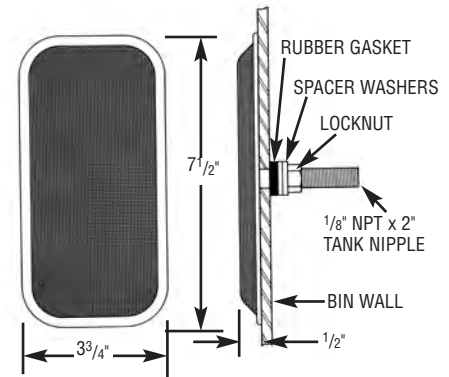
Aeration gives the best results on materials with a 60 mesh size or smaller and with a 3% or less moisture content. Specific materials that respond well to aeration are as follows: Lime, Portland Cement, Carbon Black, Diatomaceous Earth, Flour, Soda Ash, Pigments, Soap Powders, Bentonite, Bran, Clay, Cereals, Fullers Earth, Detergents and many others. For questionable materials, please contact our sales department.



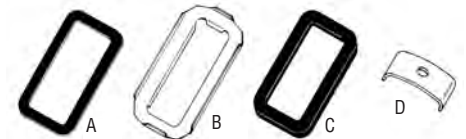
"CHARGE IT"

MATERIAL CONTROL, INC.
197 POPLAR PL. • UNIT 3
P.O. BOX 308
NORTH AURORA, IL 60542-0308
800-926-0376 • 630-892-4274 • FAX 630-892-4931
www.materialcontrolinc.com • email: sales@materialcontrolinc.com

SPECIFICATIONS:



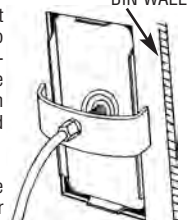
MOUNTING KIT: PATENTED



KIT INCLUDES:

- A. 1/16" gasket, adhesive both sides
- B. Adaptor (front view)
- C. 3/16" gasket, adhesive one side
- D. Spring steel clamp

AERATOR KIT IN PLACE ON BIN



The model ADK aerator mounting kit completely eliminates the need to enter the bin to install or service aerators. By cutting a 2 5/8" x 6 3/8" hole in the bin wall the mounting kit can be completely installed and serviced from outside the bin.

After the initial hole has been cut, the aerator is mounted on the adaptor assembly and inserted into the bin in less than two minutes. No holes to drill, no welding or taping. The aerator is positively sealed and securely held in place in the bin. Removal is just as simple and quick. Aerator kits are also adaptable for use on round bins. Installation is made with standard gaskets, and the 3/16" adhesive gasket ("C" above), on bins with a diameter of 3' or greater. For smaller diameter a special gasket can be furnished.

MODELS AVAILABLE

MODEL	DESCRIPTION	PRICE
AD-C	Zinc plated steel body with galvanized steel mesh and cotton diffuser. brass tank nipple and locknut. Plated steel spacer washers and rubber gasket.	SEE PRICE SHEET FOR PRICES
AD-F	As above but with Fiberglass diffuser. Fiberglass diffusers are recommend when material temperatures exceed 200°F.	
AD-SSC	T316 Stainless Steel body with stainless steel mesh and cotton diffuser. Nickel plated spacer washers and rubber gasket. Nickel plated brass tank nipple and locknut.	
AD-SSF	Same as AD-SSC except with fiberglass diffuser.	
AD-K	Positive seal mounting assembly includes two gaskets, adapter and clamp. For use with any of the above aerators when outside the bin mounting is desired.	

AIR SUPPLY:

Air supply must be clean and dry. We recommend positive displacement, low pressure blowers. Plant air can be used but the pressure must be reduced to 3 to 5 P.S.I. and a filter or moisture trap used on the low pressure side. The volume of air needed is a limiting factor on the use of plant air.

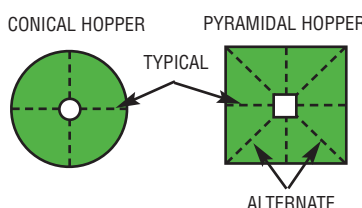
Manifold Piping Size Guide		Air Consumption Guide Per Aerator	
Piping Size	Number of Aerators in Row	Air Pressure P.S.I.	Cubic Feet per Minute
3/4"	1-5	1	4.2
		2	5.7
1"	6-9	*3	6.5
		4	7.1
1 1/4"	10-12	5	7.6

*Recommended for most applications

INSTALLATION:

Drill 7/16" holes through bin wall on predetermined centers (12" to 15" or customer's preference). Insert special tank nipple through hole and lock into place with locknut. Rubber gasket and spacer washers are furnished.

TYPICAL INSTALLATION:



SEE PRICE SHEET FOR PRICES